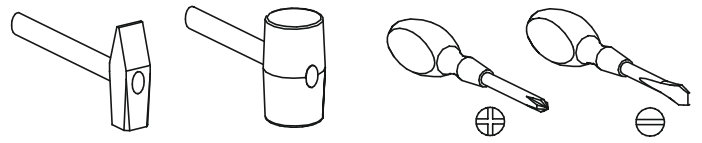
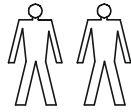
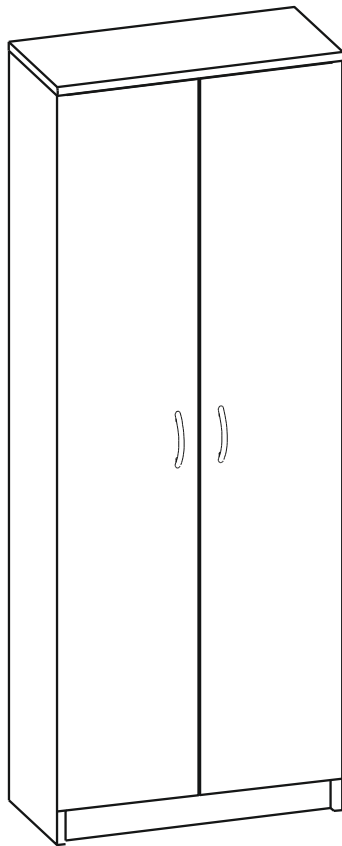



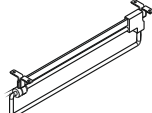


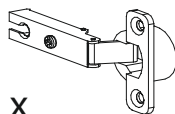




60 min

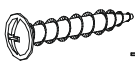


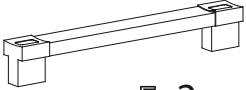
# ASTER




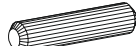
 <p>M2 - 1 x</p>	 <p>N - 1 x</p>
 <p>L - 18 x 4 x 16 mm</p>	 <p>K - 6 x</p>
 <p>D - 6 x</p>	 <p>U - 4 x</p>

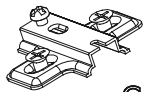
 <p>S - 6 x</p>
--

 <p>J - 4x 4 x 30 mm</p>
---

 <p>E - 2x</p>
---

 <p>F - 40 x</p>
--

 <p>B - 16 x</p>
---

 <p>C - 6 x</p>
--

